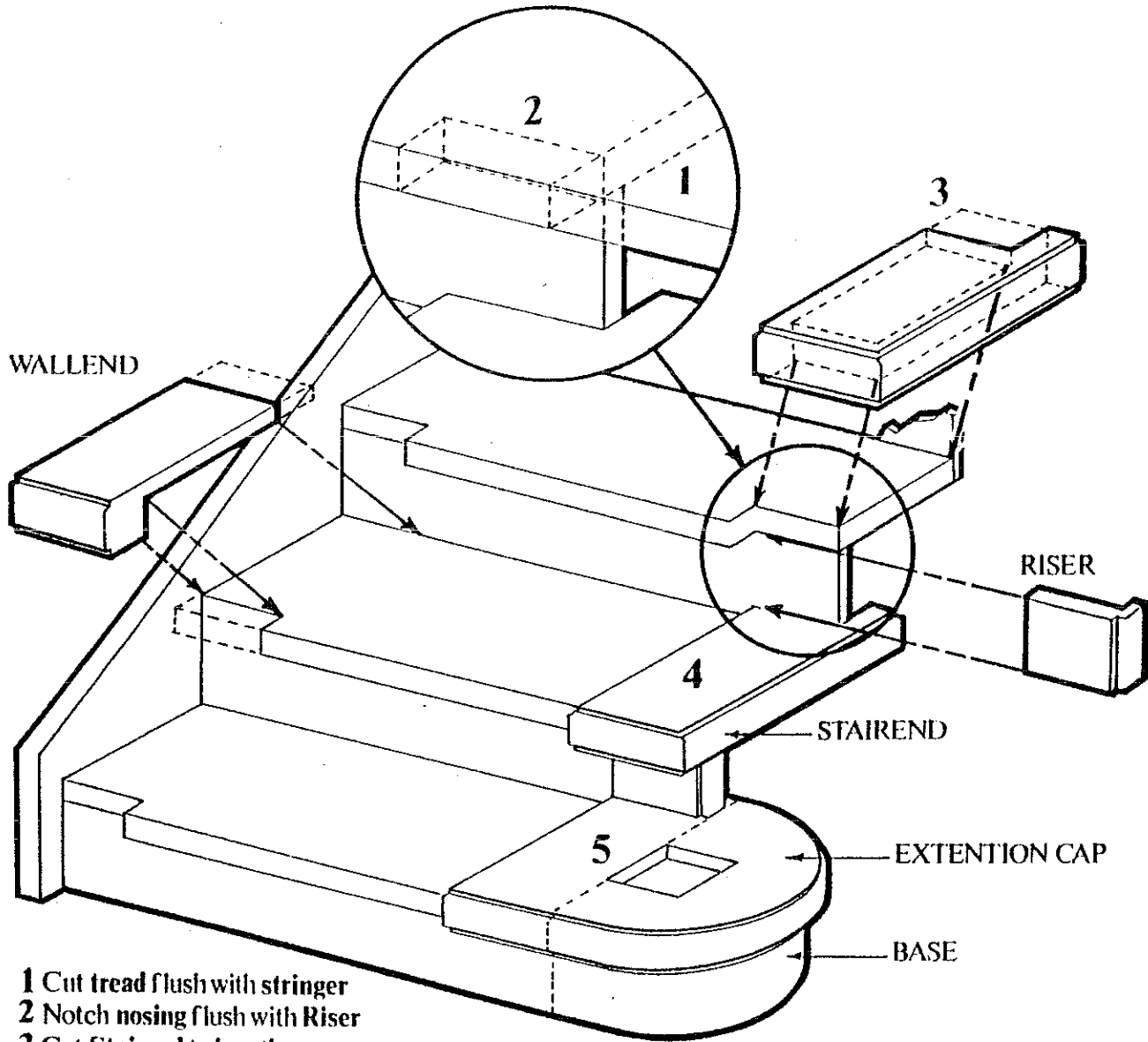


B-H Woodturning Ltd.

LET US DO A GOOD TURN FOR YOU

STAIREND ASSEMBLY

Stock straight Stairend and Riser,
Extension Cap, and Base.



- 1 Cut tread flush with stringer
- 2 Notch nosing flush with Riser
- 3 Cut Stairend to length
- 4 Glue and finish nail Stairend to tread
- 5 Fit Extension Cap and Base (for under Scroll Newel Post) even with Stairend and Riser

OFFICE, SHOWROOM & PLANT:
810 Derwent Way, Annacis Business Park, Delta, B.C. Canada V3M 5R1
Tel: (604) 540-6232 • Fax: (604) 540-6101

